

INTERNATIONAL CENTRE FOR AUTOMOTIVE TECHNOLOGY

[A Division of NATRiP Implementation Society (NATIS), Govt. of India]

TYPE APPROVAL CERTIFICATE

(For compliance to AIS-140*)

Non-Transferable

TAC/ Reference No.


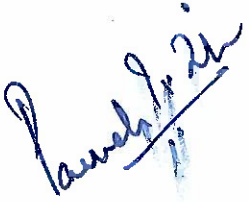


C K 8 0 3 2

Date: 04.04.2019

1.0	Customer's Name and Address	M/s Satcop India Pvt Ltd Pl. No. 40 Sr. No 258, Hiss No. 2b, Khese Park, Lohagaon Pune-411032 Maharashtra India			
2.0	Customer's Application Letter Reference	IOCS Regn No: CCTNSATCNCEEG58943 Dated : 22-Mar-2018			
3.0	Manufacturing/Assembly Plant Address(s)	M/s Satcop India Pvt Ltd Pl. No. 40 Sr. No 258, Hiss No. 2b, Khese Park, Lohagaon Pune-411032 Maharashtra India			
4.0	Description of the Test Component(s)	1.Vehicle Location Tracking Device			
		Model Name	SATCOP140		
		Part No	SAT-140-VLT		
		Drawing No.	107-8219		
		GSM/GPRS Make/Module	Simcom 800		
		GNSS/GPS Make/IRNSS Module	Quectel L89 (GPS+INRSS)		
		Accelerometer & Gyroscope Make/Module	STMicroelectronics LSM6DSL		
		Voltage System	12V & 24V		
		E-sim Make/Service Provider/Network Provider	Infineon/Tata Corporation limited/Airtel & IDEA		
		Firmware/Software Version	M1.0.0/1.1		
		2.Emergency Button			
		Model Name	SATCOP-SOS		
Part No	SAT-140-SOS				
Drawing No.	140 SOS				
5.0	Trade Name/ Mark of the Manufacturer	---			
6.0	Applicable Notified Standard	AIS:140 as amended up to December 2018			
7.0	Test Report considered for TAC	CTOGO0128 dated 03.04.2019			
8.0	EMC Test Report no.	CDOMO0094 dated 14.03.2019			
9.0	Type of Quality Management System (QMS)	S. No.	Type of QMS	Certifying Agency	Certificate no.
		1	ISO 9001: 2015	TUV India	As per the ramp up plan submitted by customer
10.0	Approval	<input checked="" type="checkbox"/> Approved <input type="checkbox"/> Not Approved <input type="checkbox"/> Extended			

Note: The first COP of the component mentioned in Sr. No.4.0 above would be due from the date of start of commercial production of the component and shall be completed before 31st March 2020.

*: Vide Sr. No. 1 of Annexure of Notification S.O. 5453(E) Dated 25.10.2018

Authorized Signatories			
			
MADHUSUDAN JOSHI Deputy General Manager	PAMELA TIKKU Sr. General Manager		DINESH TYAGI Director



Page 1 of 2 + Drwg. (2 Nos.) [58943]

C K 8 0 3 2



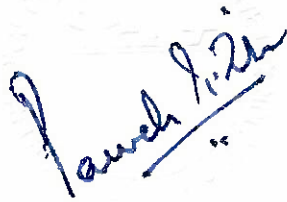
Date: 04.04.2019

DISCLAIMER

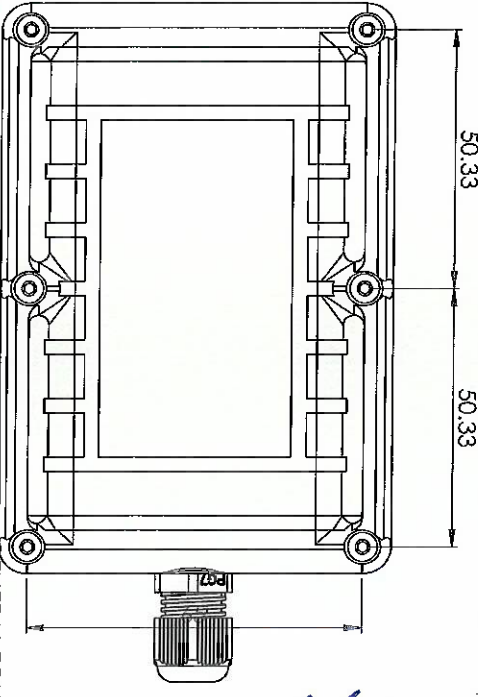
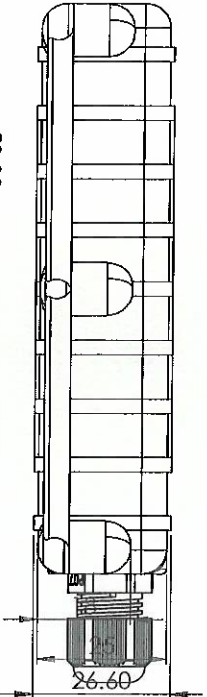
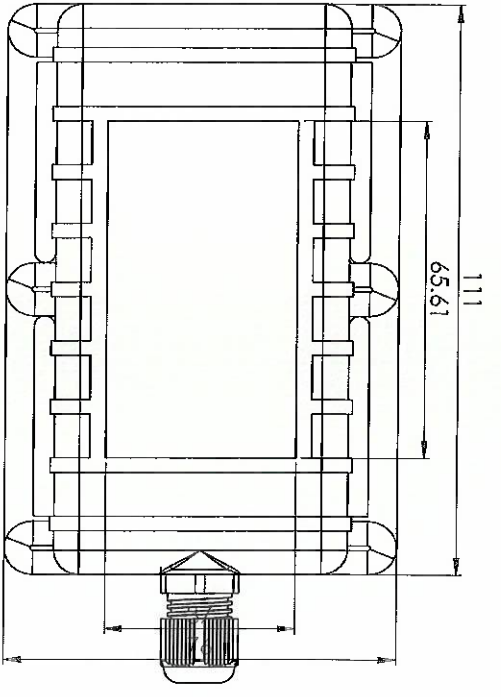
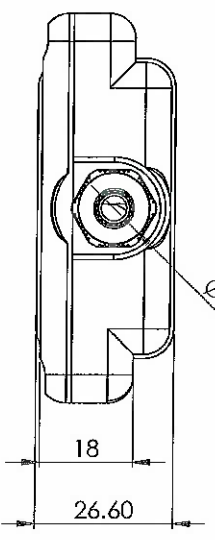
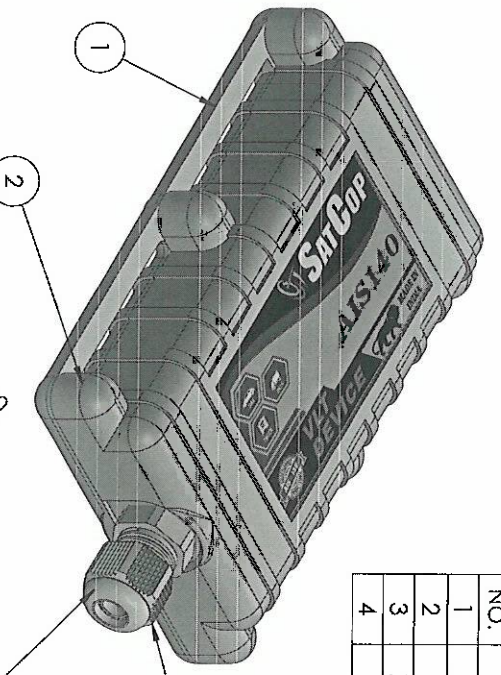
1. ICAT issues "Type Approval Certificates" (TAC) for vehicles/ engines/gensets/ parts/ assemblies etc. based on the documents produced and/or prototype / vehicle(s) submitted by the applicant and testing thereof.
2. ICAT issues TAC in compliance to Motor Vehicle Act/ Central Motor Vehicle Rules/ Central Pollution Control Board rules and their provisions as amended from time to time or any other statutory orders under which ICAT is authorized. Other Rules/Acts are outside the purview/scope of the TAC.
3. Test(s) on prototype is/are carried out on the basis of standard procedures as notified under specific rules. Results of such tests are property of bearer of TAC. These results cannot be disclosed unless specifically ordered by Government, Court, etc.
4. The bearer of the TAC is under the obligation to ensure production strictly as per the provisions of the specific TAC.
5. ICAT is not responsible for testing each vehicle/ engines/gensets/ component/part/assemblies etc. for which TAC is issued. Further, ICAT is not responsible for ensuring manufacturing quality of the type approved vehicles/ engines/gensets/ components/ parts/ assemblies etc.
6. ICAT is no way responsible for any misuse or copying of any design/type/system in connection with entire vehicle/ engines/gensets/ components/parts and assemblies covered under the TAC.
7. Breach of any statutory provision of Indian laws or laws of other countries, will be sole responsibility of the bearer of the TAC and ICAT shall not be liable for any claims or damages. The bearer shall alone be liable for the same, and shall undertake to indemnify ICAT in this regard.
8. ICAT has the right, but not under obligation to initiate cancellation / withdrawal of the certificate issued, in case of any fraud, misrepresentation, when it surfaces and comes in the knowledge of ICAT.

The appropriate local court at Gurgaon shall have the jurisdiction in respect of any dispute, claim or liability arising out of this certificate/report.

Innovation • Service • Excellence

Authorized Signatories			
 MADHUSUDAN JOSHI Deputy General Manager		 PAMELA TIKKU Sr. General Manager	Page 2 of 2 + Drwg. (2 Nos.) [58943]

ITEM NO.	DESCRIPTION	QTY.
1	BOTTOM PLATE	1
2	TOP COVER	1
3	BUTTONHEAD SCREW M3X10	6
4	CABLE GLAND PG7	1



APPROVAL AS PER AIS:0140
 MODEL: SATCOP-AIS140
 PART NO.: SAT-140-VLT
 DRAWING BY *Shinde*
 APPROVED BY

M/S SATCOP INDIA
 PLOT NO. 40, SR NO. 258
 NO. KHESE PARK, LOHEGAON, PUNE, 411032, MAHARASHTRA

NOTE:-
 ALL DIMENSIONS ARE IN MM.
 REMOVE BURR AND SHARP EDGES
 TOLERANCES UNLESS STATED AS PER
 IS:2102(PART 1)
 SURFACE TREATMENT:-

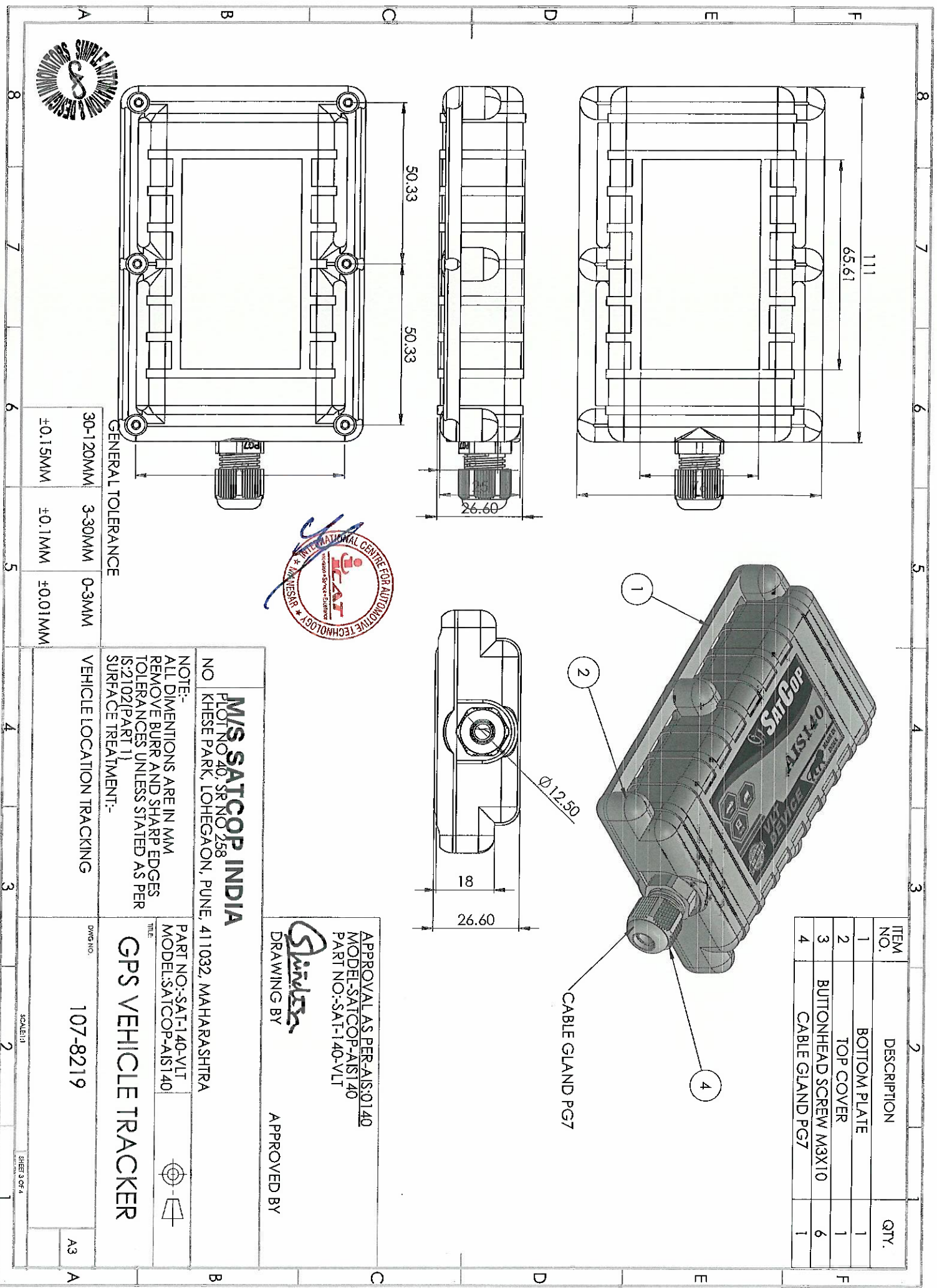
TITLE
GPS VEHICLE TRACKER

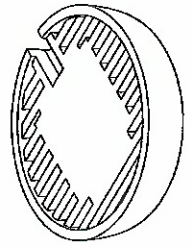
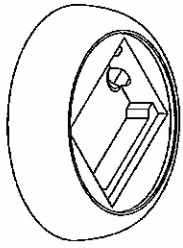
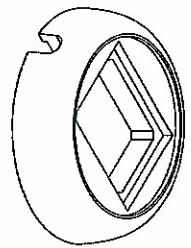
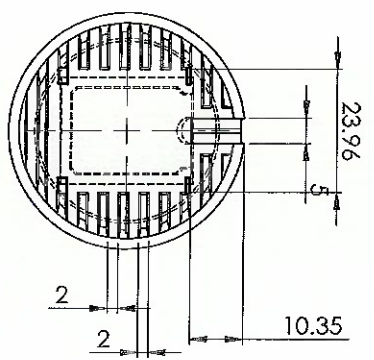
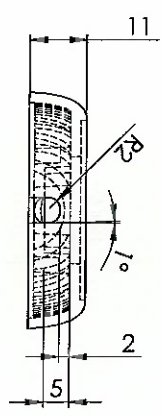
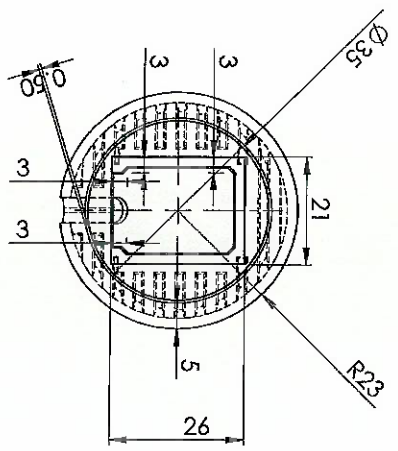
DWG NO.
107-8219

GENERAL TOLERANCE

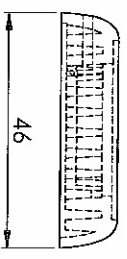
30-120MM	3-30MM	0-3MM
±0.15MM	±0.1MM	±0.01MM

VEHICLE LOCATION TRACKING





ISO VIEWS



GENERAL TOLERANCE

30-120MM	3-30MM	0-3MM
±0.15MM	±0.1MM	±0.01MM

VEHICLE LOCATION TRACKING

NOTE:-
ALL DIMENTIONS ARE IN MM.
REMOVE BURR AND SHARP EDGES
TOLERANCES UNLESS STATED AS PER
IS:2102(PART 1)
SURFACE TREATMENT:-

M/S SATCOP INDIA
PLOT NO. 40, SR NO. 258
KHESE PARK, LOHEGAON, PUNE, 411032, MAHARASHTRA

APPROVAL AS PER AIS:0140
MODEL: SATCOP-SOS
PART NO.: SAT-140-SOS

DRAWING BY
Srinivas

APPROVED BY

PART NO.: SAT-140-SOS
MODEL: SATCOP-SOS



TITLE
SOS EMERGENCY SWITCH

DWG NO. 140-SOS

A3

SCALE: 1:1

SHEET 1 OF 4